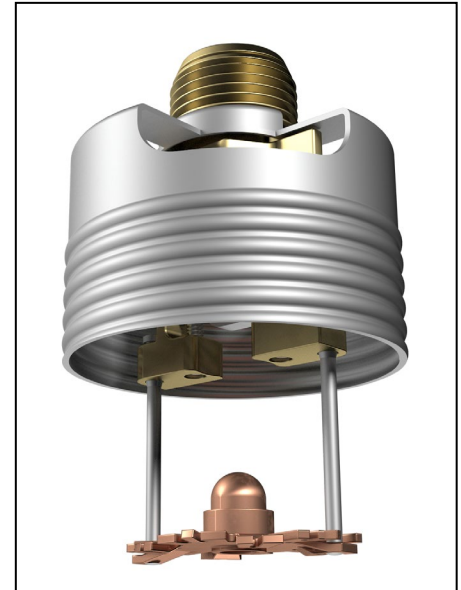


Technical Data Sheet: MX8496 Residential Concealed Pendent Sprinkler K3.0

1. DESCRIPTION

The Residential Concealed Pendent Sprinkler MX8496 is a small thermosensitive, glass-bulb residential sprinkler designed for installation on concealed pipe systems where the appearance of a smooth ceiling is desired. The orifice design, with a K-Factor of 3.0 (43.2 metric*), allows the sprinkler's efficient use of available water supplies for the hydraulically designed fire-protection system. The fast response glass bulb operating element and special deflector characteristics meet the challenges of residential sprinkler standards.

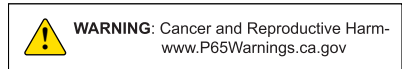
The sprinkler is pre-assembled with a threaded adapter for installation with a low-profile small-diameter cover assembly installed flush to the ceiling. The two-piece design allows installation and testing of the sprinkler prior to installation of the cover plate. The "push-on" and "thread-on" designs of the concealed cover plate assemblies allow easy installation of the cover plate after the system has been tested and the ceiling finish has been applied, while also providing up to 1/2" (13 mm) of vertical adjustment. The cover assembly can be removed and reinstalled, allowing temporary removal of ceiling panels without taking the sprinkler system out of service or removing the sprinkler. The Electroless Nickel PTFE (ENT) coating has been investigated for installation in corrosive atmospheres and is C-UL-US-EU Listed as corrosion resistant as indicated in the Approval Charts. The ENT finish is only available for the sprinkler assembly, the cover plate is not plated.



2. LISTINGS AND APPROVALS*

 **UL Listed (C-UL-US-EU):** Category VKKW

* Refer the Approval Charts and Design Criteria for cULus Listing requirements that must be followed.



3. TECHNICAL DATA

Specifications:

Minimum Operating Pressure: Refer to the Approval Chart.

Maximum Working Pressure: 175 psi (12 bar). Factory tested hydrostatically to 500 psi (34.5 bar).

Thread size: 1/2" (15 mm) NPT

Nominal K-Factor: 3.0 U.S. (43.2 metric**)

Glass-bulb fluid temperature rated to -65 °F (-55 °C)

**Metric K-factor measurement shown is when pressure is measured in Bar. When pressure is measured in kPa, divide the metric K-factor shown by 10.0.

Material Standards:

Sprinkler Body: Brass UNS-C84400 or QM Brass

Deflector: Phosphor Bronze UNS-C51000

Deflector Pins: Stainless Steel UNS-S30200

Button: Brass UNS-C31600

Pip Cap and Insert Assembly: Copper UNS-C11000 and SS UNS-S30400

Compression Screw: 18-8 Stainless Steel

Yoke: UNS-S43000 Stainless Steel or Phosphor Bronze UNS-C51000

Belleville Spring Sealing Assembly: Nickel Alloy, coated on both sides with PTFE Tape

Cover Adapter: Cold Rolled Steel UNS-G10080, Finish: Clear Chromate over Zinc Plating

Shipping Cap: Polyethylene

Cover Plate Materials

Cover Plate Assembly: Copper UNS-C11000 and Brass UNS-C26800

Spring: Beryllium Nickel

Solder: Eutectic

Ordering Information: Sprinkler Assembly and Cover Plate must be ordered separately. Refer to Tables 1 and 2.

4. INSTALLATION

Refer to appropriate NFPA and/or any other applicable installation standards.

5. OPERATION

During fire conditions, the heat-sensitive liquid in the glass bulb expands, causing the glass to shatter, releasing the pip cap and sealing spring assembly. Water flowing through the sprinkler orifice strikes the sprinkler deflector, forming a uniform spray pattern to extinguish or control the fire.

6. INSPECTIONS, TESTS, AND MAINTENANCE

Refer to NFPA 25 for Inspection, Testing and Maintenance requirements.

7. AVAILABILITY

The Model MX8496 Sprinkler is available through a network of domestic and international distributors. See the web site for the closest distributor or contact us.

8. GUARANTEE

For details of warranty, refer to the current list price schedule or contact us directly.

TABLE 1: ORDERING INFORMATION

TABLE 1: ORDERING INFORMATION							
Instructions:							
(1) Select a Sprinkler Base Part Number							
(2) Add the suffix for the desired Finish							
(3) Add the suffix for the desired Sprinkler Temperature Rating							
(4) Order a cover plate (refer to Table 2)							
Example:							
61893AE = 200 °F (93 °C) Temperature Rated Sprinkler with a standard Brass finish.							
1: Sprinkler Base Part No.	Size	2: Finishes		3: Temperature Ratings			
	NPT Inch	Description	Suffix ¹	Nominal Rating	Bulb Color	Max. Ambient Ceiling Temperature ²	Suffix
61893	1/2	Brass	A	155 °F (68 °C)	Red	100 °F (38 °C)	B
		ENT ^{3,4}	JN	200 °F (93 °C)	Green	150 °F (65 °C)	E
Accessories							
Sprinkler Wrenches:							
A. Heavy Duty Part Number: 14047WB ⁵							
B. Head Cabinet Wrench Part Number: 14031 ⁶							
Sprinkler Cabinet:							
A. Up to 6 sprinklers: Part number 61398.							
B. 6-12 Sprinklers: Part number 61399.							
Footnotes							
1. Where a dash (-) is shown in the Finish suffix designation, insert the desired Temperature Rating suffix. See example above.							
2. Based on NFPA 13, NFPA 13R, and NFPA 13D. Other limits may apply, depending on fire loading, sprinkler location, and other requirements of the Authority Having Jurisdiction. Refer to specific installation standards.							
3. cULus Listed as corrosion resistant.							
4. The corrosion resistant coatings have passed the standard corrosion test required by the approving agencies indicated in the Approval Chart. These tests cannot and do not represent all possible corrosive environments. Prior to installation, verify through the end-user that the coatings are compatible with or suitable for the proposed environment. For automatic sprinklers, the ENT coating is applied to all exposed exterior surfaces, including the waterway.							
5. Requires a 1/2" ratchet which is not available from us.							
6. Optional for removal of the protective cap. Ideal for sprinkler cabinets.							

TABLE 2: COVER PLATE ORDERING INFORMATION

Instructions:

- (1) Select a Cover Plate Base Part Number
- (2) Add the suffix for the desired Finish
- (3) Add the suffix for the required Cover Plate Nominal Rating.

Example:

62018MCW = 165 °F (74 °C) Temperature Rated, 2-3/4" (70 mm) diameter, Thread-On style Round Cover Plate with a Painted White finish.

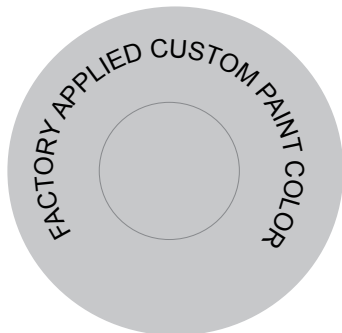
1: Select a Cover Plate Base Part Number ³						2: Select a Finish	
Thread-On Style			Push-On Style				
Base Part Number	Size Inch (mm)	Type	Base Part Number	Size Inch (mm)	Type	Description	Suffix ⁴
62018	2-3/4 (70)	Round	62055	2-3/4 (70)	Round	Polished Chrome	F
62013	3-5/16 (84)	Round	62059	3-5/16 (84)	Round	Brushed Chrome	F-B
62016	3-5/16 (84)	Square	62064	3-5/16 (84)	Square	Bright Brass	B
						Antique Brass	B-A
						Brushed Brass	B-B
						Brushed Copper	E-B
						Painted White	M-W
						Painted Ivory	M-I
						Painted Black	M-B

3: Temperature Rating Matrix ^{1,2}				
Cover Plate Nominal Rating (Required)	Temperature Classification	Sprinkler Nominal Rating	Sprinkler Maximum Ambient Ceiling Temperature ²	Suffix
135 °F (57 °C)	Ordinary	155 °F (68 °C)	100 °F (38 °C)	A
165 °F (74 °C)	Intermediate	200 °F (93 °C)	150 °F (65 °C)	C

Footnotes

1. The sprinkler temperature rating is stamped on the deflector.
2. Based on NFPA-13. Other limits may apply, depending on fire loading, sprinkler location, and other requirements of the Authority Having Jurisdiction. Refer to specific installation standards.
3. Part number shown is the base part number. For complete part number, refer to current price list schedule.
4. Where a dash (-) is shown in the Finish suffix designation, insert the desired Temperature Rating suffix. See example above.

Form No. FX_032218 20.06.26 Rev 20.2



All custom color painted cover plates will have an identifying label affixed to the inside of the cover that indicates the custom color and will have a representative sample (a paint dot) of the paint on the label.

Figure 1: Identification of Custom Paint for Concealed Covers




3-5/16" (84 mm)

Figure 2: Square Cover Assembly

APPROVAL CHART

MX8496, 3.0 K-Factor Residential Concealed Pendent Sprinkler

For systems designed to NFPA 13D or NFPA 13R. For systems designed to NFPA 13, refer to the design criteria. For Ceiling types refer to current editions of NFPA 13, 13R or 13D

Sprinkler Base Part Number ¹	SIN	Thread Size		Nominal K-Factor		Maximum Water Working Pressure
		Inches	mm	U.S.	metric ²	
61893	MX8496	1/2	15	3.0	43.2	175 psi (12 bar)
Maximum Coverage Area ⁵ W X L Ft. X Ft. (m X m)	All Temperatures		Deflector to Ceiling	Installation Type	Listings and Approvals ³ 	Minimum Spacing Ft. (m)
	Flow gpm (Lpm)	Pressure PSI (bar)				
12 X 12 (3.7 X 3.7)	8 (30.3)	7.1 (0.49)	Refer to Figure 2	Concealed with Cover Plate Assembly. See Footnotes 6 & 7.	See Footnotes 3, 4, and 8	8 (2.4)
14 X 14 (4.3 X 4.3)	12 (45.4)	16 (1.1)				
16 X 16 (4.9 X 4.9)	15 (56.8)	25 (1.72)				

Footnotes

1. Part number shown is the base part number. For complete part number, refer to current our price schedule.
2. Metric K-factor measurement shown is when pressure is measured in Bar. When pressure is measured in kPa, divide the metric K-factor shown by 10.0.
3. This chart shows the listings and approvals available at the time of printing. Other approvals may be in process. Check with the manufacturer for any additional approvals. Refer also to Design Criteria.
4. Listed by Underwriter's Laboratories, Inc. for use in the U.S., Canada, and European Union.
5. For areas of coverage smaller than shown, use the "Flow" and "Pressure" for the next larger area listed. Flows and pressures listed are per sprinkler. The distance from sprinklers to walls shall not exceed one-half the sprinkler spacing indicated for the minimum "Flow" and "Pressure" used.
6. Other paint colors are available on request with the same listings as the standard finish colors. Listings and approvals apply for any paint manufacturer. Contact Minimax Fire Protection for additional information. Custom colors are indicated on a label inside the cover assembly. Refer to Figure 3.
7. Accepted Cover Plate Finishes are: Polished Chrome, Brushed Chrome, Bright Brass, Antique Brass, Brushed Brass, Brushed Copper, Painted White, Painted Ivory, or Painted Black ⁶.
8. C-UL-US-EU Listed as corrosion resistant - Electroless Nickel PTFE (ENT)

DESIGN CRITERIA

(Also refer to the Approval Chart.)

UL Listing Requirements (C-UL-US-EU):

When using Minimax Fire Protection Residential Concealed Pendent Sprinkler MX8496 for systems designed to NFPA 13D or NFPA 13R, apply the listed areas of coverage and minimum water supply requirements shown in the Approval Chart.

For systems designed to NFPA 13: The number of design sprinklers is to be the four contiguous most hydraulically demanding sprinklers. The minimum required discharge from each of the four sprinklers is to be the greater of the following:

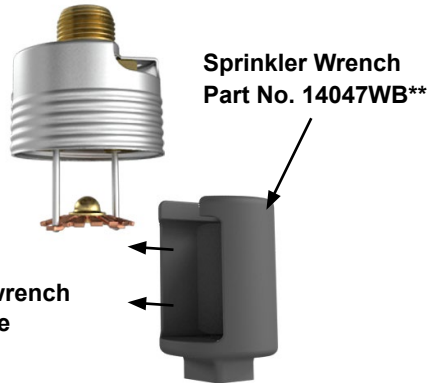
- The flow rates given in the Approval Chart for NFPA 13D and NFPA 13R applications for each listed area of coverage, **or**
- Calculated based on a minimum discharge of 0.1 gpm/sq. ft. over the "design area" in accordance with sections 8.5.2.1 or 8.6.2.1.2 of NFPA 13.
- Minimum distance between residential sprinklers: 8 ft. (2.4 m).

NOTE: Concealed sprinklers must be installed in neutral or negative pressure plenums only.

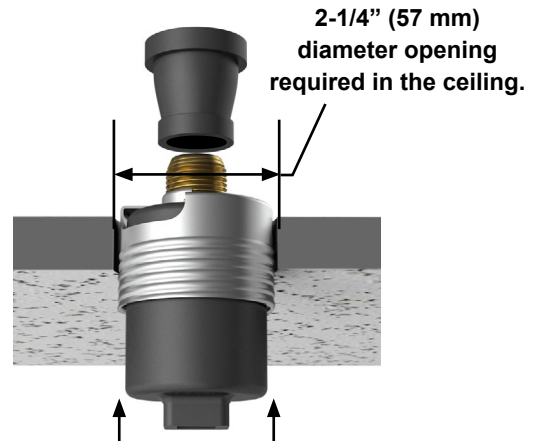
IMPORTANT: Always refer to Bulletin Form No. FX_080415 - Best Practices for Residential Sprinkler Handling and Installation. Also refer to Form No. FX_080614 for general care, installation, and maintenance information. Minimax Fire Protection sprinklers are to be installed in accordance with the latest edition of Minimax Fire Protection technical data, the appropriate standards of NFPA and any other similar Authorities Having Jurisdiction, and also with the provisions of governmental codes, ordinances, and standards, whenever applicable. Final approval and acceptance of all residential sprinkler installations must be obtained from the Authorities Having Jurisdiction.

Sprinkler and Adapter Assembly

- Protective cap removed
- Use wrench 14047WB**



Step 1:
Carefully slide the wrench
sideways around the
deflector and pins



Step 2:
Carefully press the wrench upward and turn slightly to
ensure engagement with the sprinkler wrench flats.

NEVER install the sprinkler by applying the installation
wrench across the frame arms. **DO NOT** overtighten.
Use only the designated sprinkler wrenches, Part
Numbers 14047WB** or 14031**. A leak tight seal
should be achieved by turning the sprinkler clockwise
1 to 1-1/2 turns beyond finger tight.

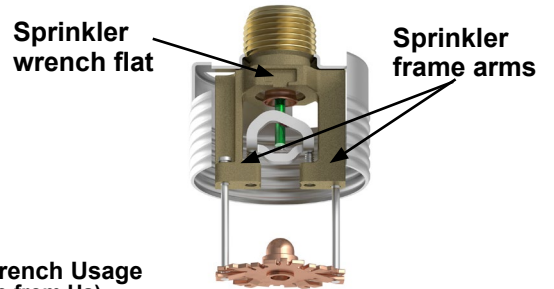


Figure 3: Sprinkler Installation and Proper Wrench Usage
** A 1/2" ratchet is required (Not available from Us)

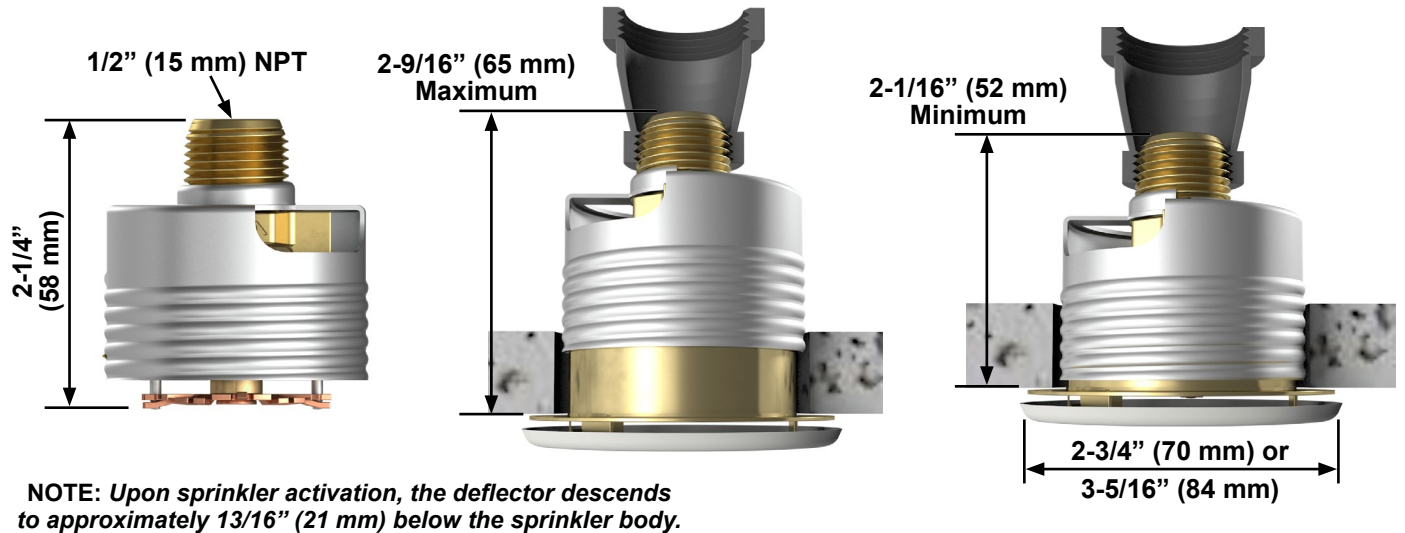


Figure 4: Sprinkler Dimensions and Cover Installation