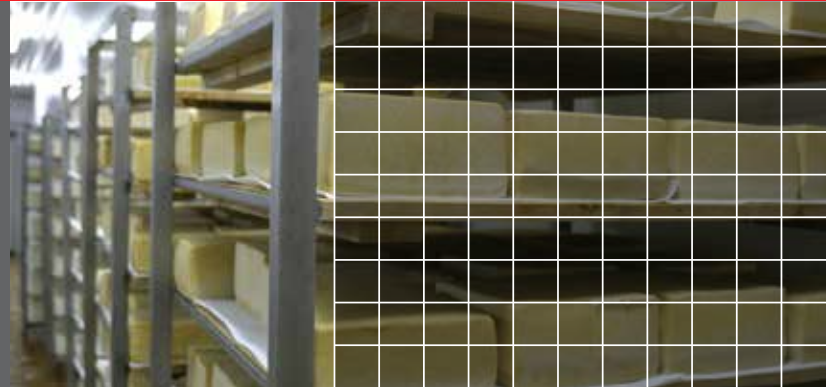


Dry Sprinkler Quick Reference Guide

This guide is intended for general reference only. Prior to the design, layout, and/or installation of any sprinkler system, please refer to Minimax's technical documentation and always consult with the AHJ. Minimax makes no representation or warranty as to whether following this guide will satisfy any rule or requirement. Please visit www.minimax-fire.com for the most current technical data and product specifications. All products must be installed in accordance with the manufacturer's current installation instructions. Minimax reserves the right to change product specifications at any time without notice and without incurring obligation.



Light Hazard Only

See page 4 for ordering instructions (f=finish, t=temperature, l=length)

**MX8188-Recessed
Horiz Sidewall
Part# 61264U(f,t,l)**



Extended Coverage – Standard / Quick Response 5.6 (81) K-factor – Horizontal Sidewall

- cULus Listed
 - 1 inch NPT
 - Finish (f): chrome, white-polyester, nickel PTFE; brass
 - Temperature (t): 155°F (68°C), 175°F (79°C)
 - Length (l): Order in ¼" increments.
- See technical datasheets FX_051598 for design and installation data.

¹ Domed cover plate ordered separately (p/n 61370)

**MX8156-Standard
Adjustable
Part# 61254U(f,t,l)**



Standard Coverage – Standard Response 5.6 (81) K-factor – Horizontal Sidewall

- cULus Listed and FM Approved
 - 1 inch NPT
 - Finish (f): chrome, white-polyester, nickel PTFE; brass
 - Temperature (t): 155°F (68°C), 175°F (79°C), 200°F (93°C), 286°F (141°C)
 - Length (l): Order in ½" increments.
- See technical datasheet FX_073091 for complete design and installation specifications.

**MX8178-Standard
Adjustable
Part# 61261U(f,t,l)**



**MX8182-Recessed
Adjustable
Part# 61263(f,t,l)**



Standard Coverage – Quick Response 5.6 (81) K-factor – Horizontal Sidewall

- cULus Listed
 - 1 inch NPT
 - Finish (f): brass, chrome, white-polyester, nickel PTFE
 - Temperature (t): 155°F (68°C), 175°F (79°C), 200°F (93°C), 286°F (141°C)—MX8182 NOT available in 286°F (141°C)
 - Length (l): MX8178 - order in ½" increments. MX8182 - order in ¼" increments.
- See technical datasheet FX_031993 for complete design and installation specifications.

Dry Sprinkler Quick Reference Guide

Light and Ordinary Hazard



Standard Coverage – Quick Response

5.6 (81) K-factor – Pendent

- cULus Listed and FM Approved
- 1 inch NPT
- Finish (f): chrome, white-polyester, nickel PTFE; brass (MX8172 only)
- Temperature (t): 155°F (68°C), 175°F (79°C), 200°F (93°C), 286°F (141°C)— MX8180 NOT available in 286°F (141°C)
- Length (l): MX8172 and MX8176 - order in ½" increments. MX8180 - order in ¼" increments. See technical datasheet FX_031793 for complete design and installation specifications.



Standard Coverage – Quick Response

5.6 (81) K-factor – Recessed Concealed

- cULus Listed
- 1 inch NPT
- Cover Plate Finishes: white, chrome, ivory, black
- Temperature Ratings: 155°F (68°C), 175°F (79°C), 200°F (93°C)
- Length (l): Order in ¼ inch increments (standard length is 4" to 48-¼"). See technical datasheet FX_092103 for complete specifications.



Standard Coverage – Quick Response

8.0 (115) K-factor – Pendent

- cULus Listed
- 1 inch NPT
- Finish (f): chrome, white-polyester, nickel PTFE
- Temperature (t): 155°F (68°C), 175°F (79°C), 200°F (93°C), 286°F (141°C)
- Length (l): Order in ½" increments. See technical datasheet FX_010305 for complete design and installation specifications.



Standard Coverage – Quick Response

8.0 (115) K-factor – Pendent (Fusible Link)

- cULus Listed
- 1 inch NPT
- Finish (f): chrome, white-polyester
- Temperature (t): 165°F (74°C), 205°F (96°C), 280°F (138°C)
- Length (l): Order in ½" increments. See technical datasheet FX_010505 for complete design and installation specifications.

Light, Ordinary, and Extra Hazard

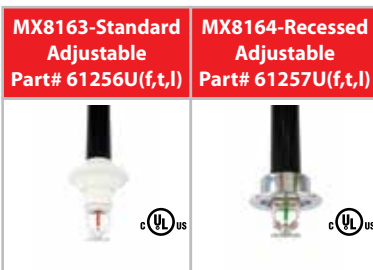
See page 4 for ordering instructions (f=finish, t=temperature, l=length)



Standard Coverage – Standard Response

5.6 (81) K-factor – Pendent

- cULus Listed and FM Approved
 - 1 inch NPT
 - Finish (f): chrome, white-polyester, nickel PTFE.
 - Temperature (t): 155°F (68°C), 175°F (79°C), 200°F (93°C), 286°F (141°C)—MX8158 NOT available in 286°F (141°C)
 - Length (l): MX8154 - Order in ½" increments. MX8158 - order in ¼" increments.
- See technical datasheet FX_071591 for complete design and installation specifications.



Standard Coverage – Standard Response

8.0 (115) K-factor – Pendent

- cULus Listed
 - 1 inch NPT
 - Finish (f): chrome, white-polyester, nickel PTFE
 - Temperature (t): 155°F (68°C), 175°F (79°C), 200°F (93°C), 286°F (141°C)—MX8164 NOT available in 286°F (141°C)
 - Length (l): MX8163 - Order in ½" increments. MX8164 - Order in ¼" increments.
- See technical datasheet FX_090110 for complete design and installation data.

Storage and Non-Storage Dry ELO Pendent (FM Approved Standard Spray)



Standard Coverage – Standard Response

11.2 (161) K-factor – Pendent (fusible link)

- FM Approved
 - 1 ¼" NPT; requires 1 ¼" tee
 - Finish (f): chrome, white
 - Temperature (t): 165°F (74°C), 205°F (96°C), 280°F (138°C)
 - Length (l): order in 6" increments
 - Standard length is 12" to 48" (305 mm to 1,219 mm)
- See technical datasheet FX_040815 for complete design and installation specifications.



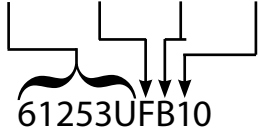
Standard Coverage – Quick Response

11.2 (161) K-factor – Pendent (fusible link)

- FM Approved
 - 1 ¼" NPT; requires 1 ¼" tee
 - Finish (f): chrome, white
 - Temperature (t): 165°F (74°C), 205°F (96°C), 280°F (138°C)
 - Length (l): order in 6" increments
 - Standard length is 12" to 48" (305 mm to 1,219 mm)
- See technical datasheet FX_040915 for complete design and installation specifications.

Ordering Instructions

Example [base(f)(t)(l)]
MX8154, Chrome, 155°F, 10" long



Finish Suffixes (f)

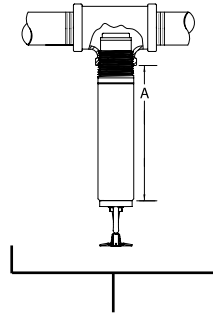
| | |
|------------|------|
| Brass | A |
| Chrome | F |
| White-Poly | M-/W |
| ENT | JN |

Temp Suffixes (t)

| | |
|---------------|---|
| 135°F | A |
| 155°F | B |
| 165°F | C |
| 175°F | D |
| 200°F / 205°F | E |
| 280°F / 286°F | G |

To order add desired Finish (f), Temperature (t), and Length (l)
For Length (l) please see A or B Dimension diagrams below.

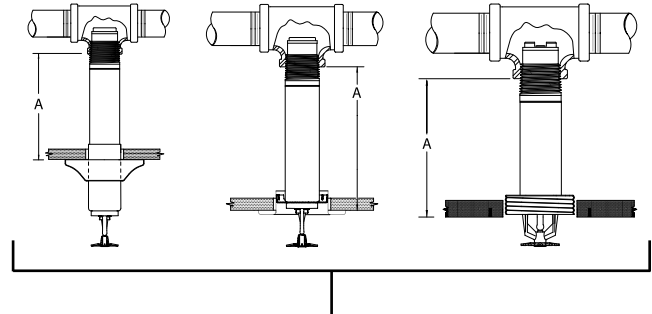
* Dry sprinklers are customer specific products and are NOT RETURNABLE. Any changes made after order submission are subject to charges for manufacturing processes completed at the time of change or cancellation. These charges could be equal to the value of the original order. Please check the information carefully before ordering. Refer to Minimax Technical Data for detailed product information.



Plain Barrel
Pendent and HSW

For "A" Dimension:

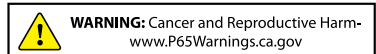
1. Determine distance from face of the tee to the base of the sprinkler.
2. Round up to next highest 1/2" (13 mm) increment between 3" (76 mm) and 47" (1194 mm).



Standard Adjustable, Recessed Adjustable,
Domed Concealed Pendent and HSW

For "A" Dimension:

1. Determine the distance from the face of tee to the surface of finished ceiling or wall.
2. - For Standard Adjustable round to the nearest 1/2" (13 mm) between 1-1/2" and 45-1/2" (38 mm and 1156 mm).
- For Recessed Adjustable round to the nearest 1/4" (6 mm) between 3-1/4" and 47-1/2" (83 mm and 1207mm).
- For Domed Concealed round to the nearest 1/4" (6 mm) between 4" and 48-1/4" (102 mm and 1226 mm).



WARNING: Cancer and Reproductive Harm-
www.P65Warnings.ca.gov